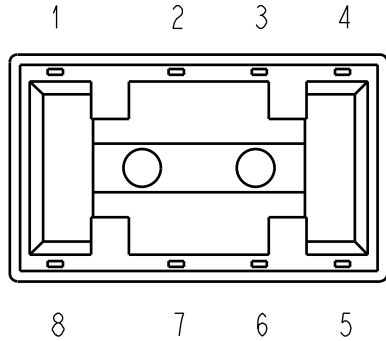
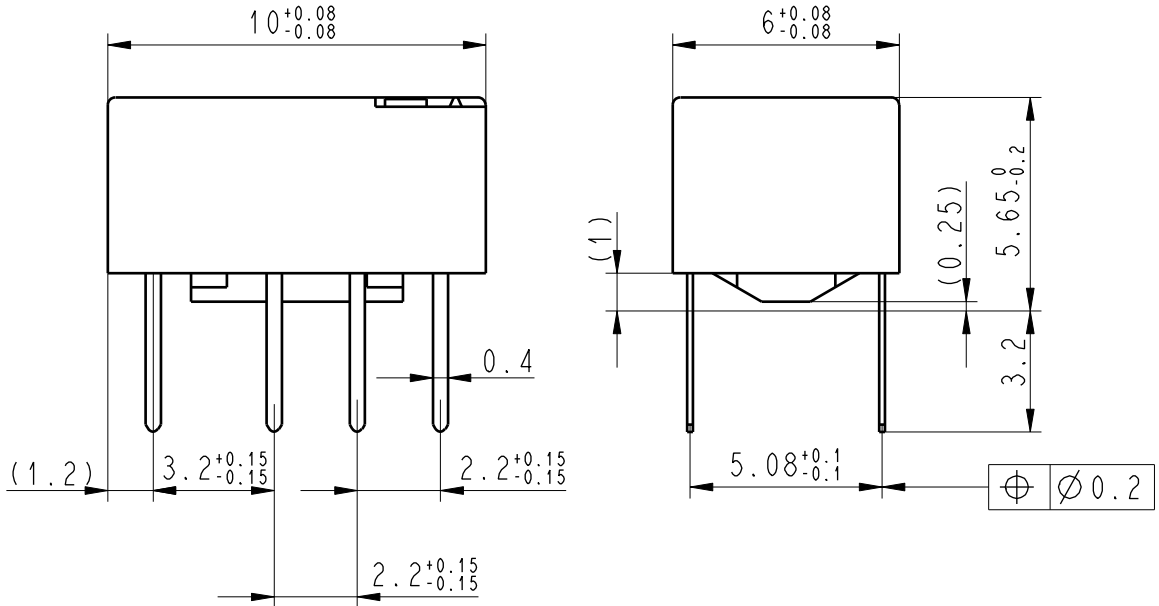


LOC	DIST	REVISIONS					
		P	LTR	DESCRIPTION	DATE	DWN	APVD
HJ	-		A4	Doc change E2002-DOK02 to C-1462037-4	08DEC2003	CW	HD
			A5	change marking	24JUL2006	UKo	HD
			A6	new bottom view	28Jul2006	UKo	HD



Relay - bottom view



XX = Relay type
ZZ = nominal voltage
YYWW = Date code

RELEASED FOR PUBLICATION

THIS DRAWING IS UNPUBLISHED.

© COPYRIGHT 2000 BY TYCO ELECTRONICS CORPORATION. ALL RIGHTS RESERVED.

DRAWING ALIAS E2002-DOK02

DIMENSIONS: mm		DWN UKo 9193	28Aug1998	MATERIAL	-	FINISH	-
TOLERANCES UNLESS OTHERWISE SPECIFIED: DIN 7168-m		CHK HD 9121	28Aug1998	tyco Electronics AXICOM AG CH - 8804 Au ZH			
		APVD HD 9121	28Aug1998	NAME IM-Relay THT (Standard) Dimensions			
0 PLC ±-		PRODUCT SPEC		SIZE	CAGE CODE	DRAWING NO	RESTRICTED TO
1 PLC ±-		-		A4	00779	C-1462037-4	-
2 PLC ±-		APPLICATION SPEC		CUSTOMER DRAWING			
3 PLC ±-		-		SCALE	5:1	SHEET	1 OF 1
4 PLC ±-		WEIGHT		REV			
ANGLES ±-		-		A6			

